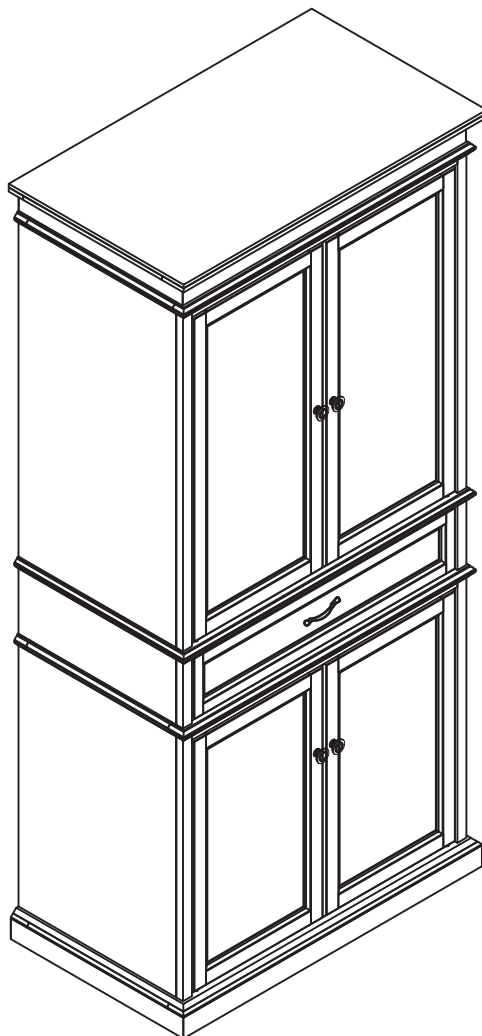
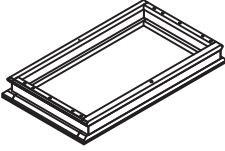
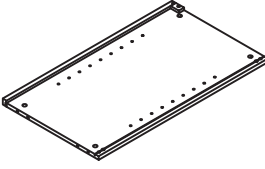
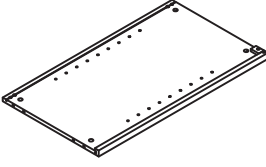
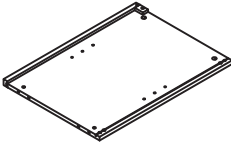
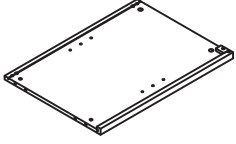
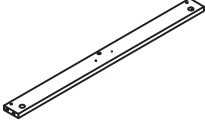
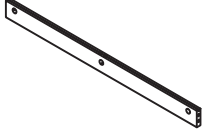
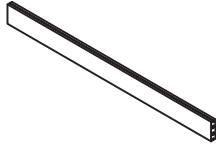
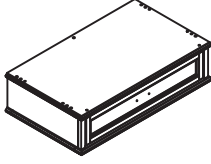
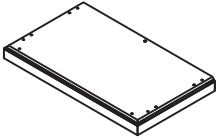


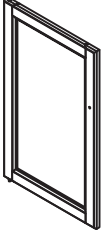
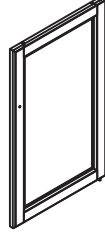


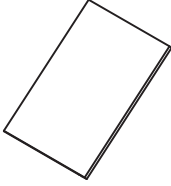
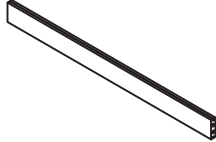




Parsons Pantry
CF3100



PART LIST

<p>A</p> 	<p>B</p> 	<p>C</p> 	<p>D</p> 	<p>E</p> 
<p>Top Panel 1 PC</p>	<p>Upper Left Side Panel 1 PC</p>	<p>Upper Right Side Panel 1 PC</p>	<p>Lower Left Side Panel 1PC</p>	<p>Lower Right Side Panel 1 PC</p>
<p>F</p> 	<p>G</p> 	<p>H</p> 	<p>I</p> 	<p>J</p> 
<p>Front Rail 2 PCS</p>	<p>Upper & Lower Back Rail 4 PCS</p>	<p>Middle Lower Rail 1PC</p>	<p>Middle Shelf Frame & Drawer 1 PC</p>	<p>Bottom Frame 1 PC</p>
<p>K</p> 	<p>L</p> 	<p>M</p> 	<p>N</p> 	<p>O</p> 
<p>Upper Left Door 1 PC</p>	<p>Upper Right Door 1 PC</p>	<p>Lower Left Door 1 PC</p>	<p>Lower Right Door 1 PC</p>	<p>Upper Back Panel 2 PCS</p>
<p>P</p> 	<p>Q</p> 	<p>R</p> 		
<p>Lower Back Panel 2 PCS</p>	<p>Adjustable Shelf 3 PCS</p>	<p>Middle Upper Rail 1PC</p>		

HARDWARE LIST

1	 Ø8*30	2		3		4		5	 2"*Ø1/4"*D11
	Wood Dowel 36 PCS		Cam Bolt 28 PCS		Cam Lock 28 PCS		Barrel Nut 4 PCS		Allen Bolt 4 PCS
6		7		8		9	 14mm*Ø3*D6	10	 1"*Ø4*D8
	Allen Key 1 PC		Shelf Holder 12 PCS		Magnet 2 PCS		Round Head Screw 4 PCS		Flat Head Screw 2 PCS
11		12		13	 3/8"*Ø5/32"*D9	14	 7/8"*Ø5/32"*D9	15	
	Knob 4 PCS		Handle 1 PC		Short Round Head Bolt 2 PCS		Long Round Head Bolt 4 PCS		Adjustable Foot 4 PCS
16		17		18	 12mm*Ø3*D6		 Replacement		
	Safety Strap Kit 1 PC		Rear Panel Bracket 8 PCS		Round Head Screw 8 PCS		Door Pivot 4 PCS		

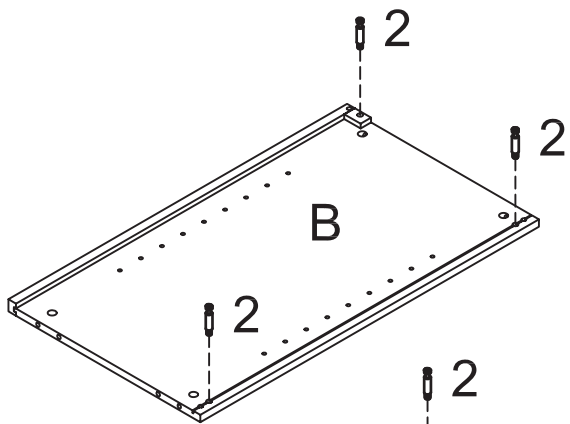
ADDITIONAL TOOLS (Not Provided)

Note: It is not recommended to use power tools during assembly. However a screw gun can assist with mounting.

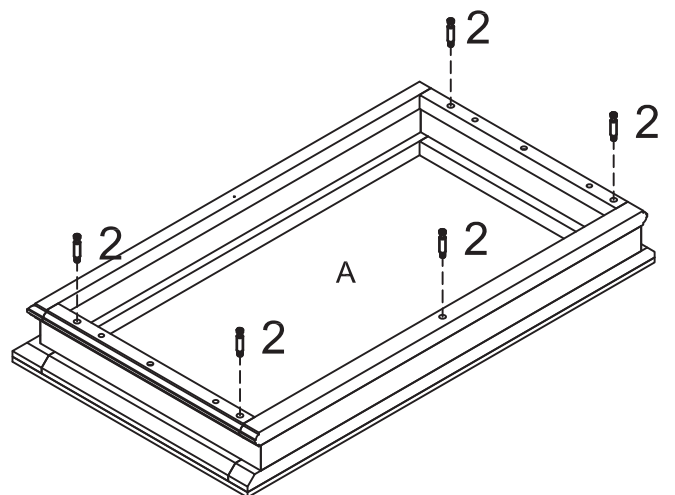
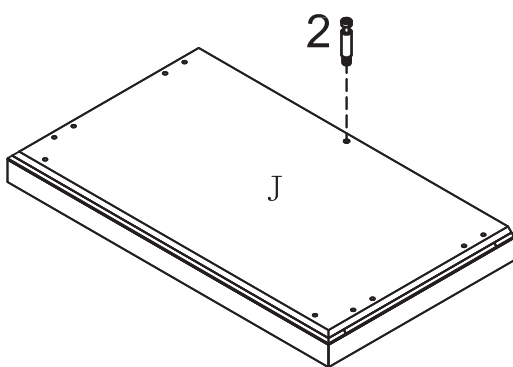
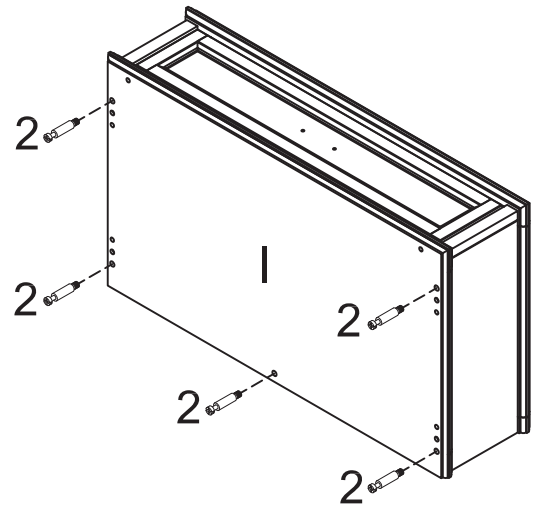
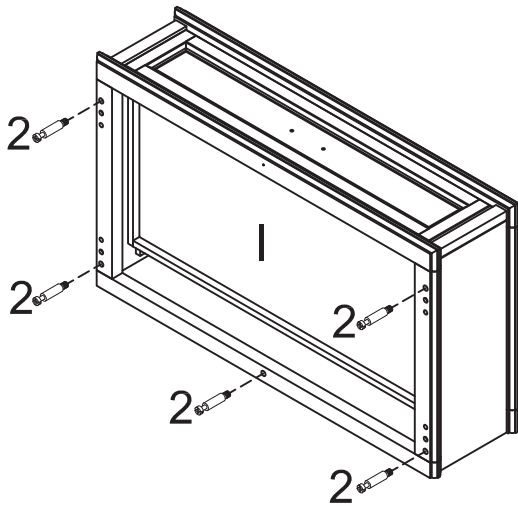
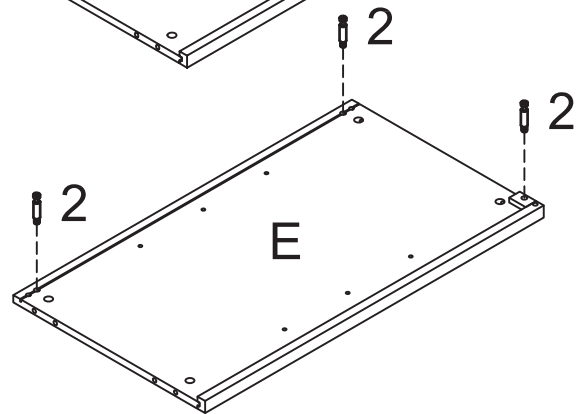
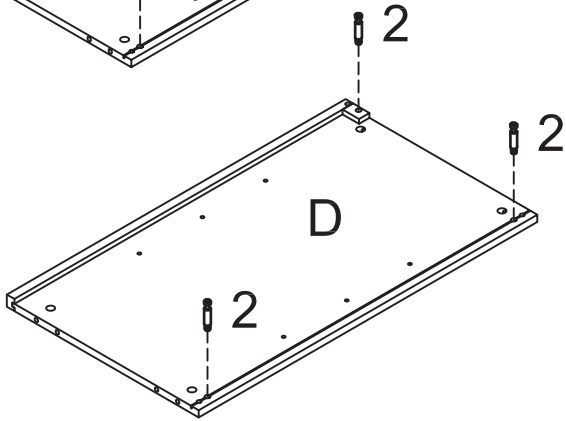
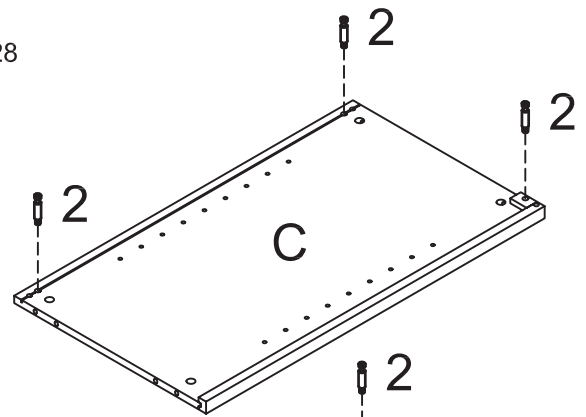


Phillips Head Screw Driver

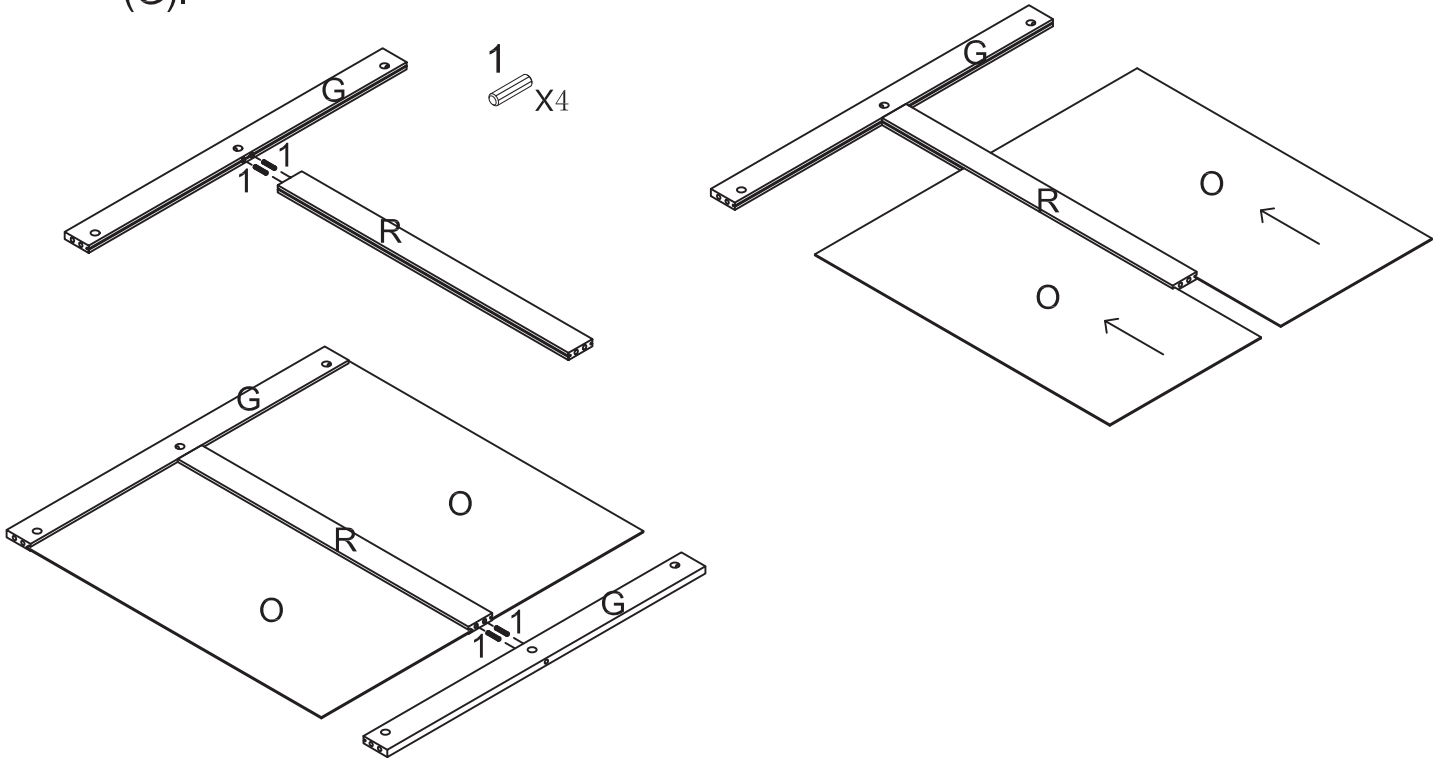
Step 1. Insert Cam Bolts (Part#2) into Parts (B, C, D, E, I, J & A).



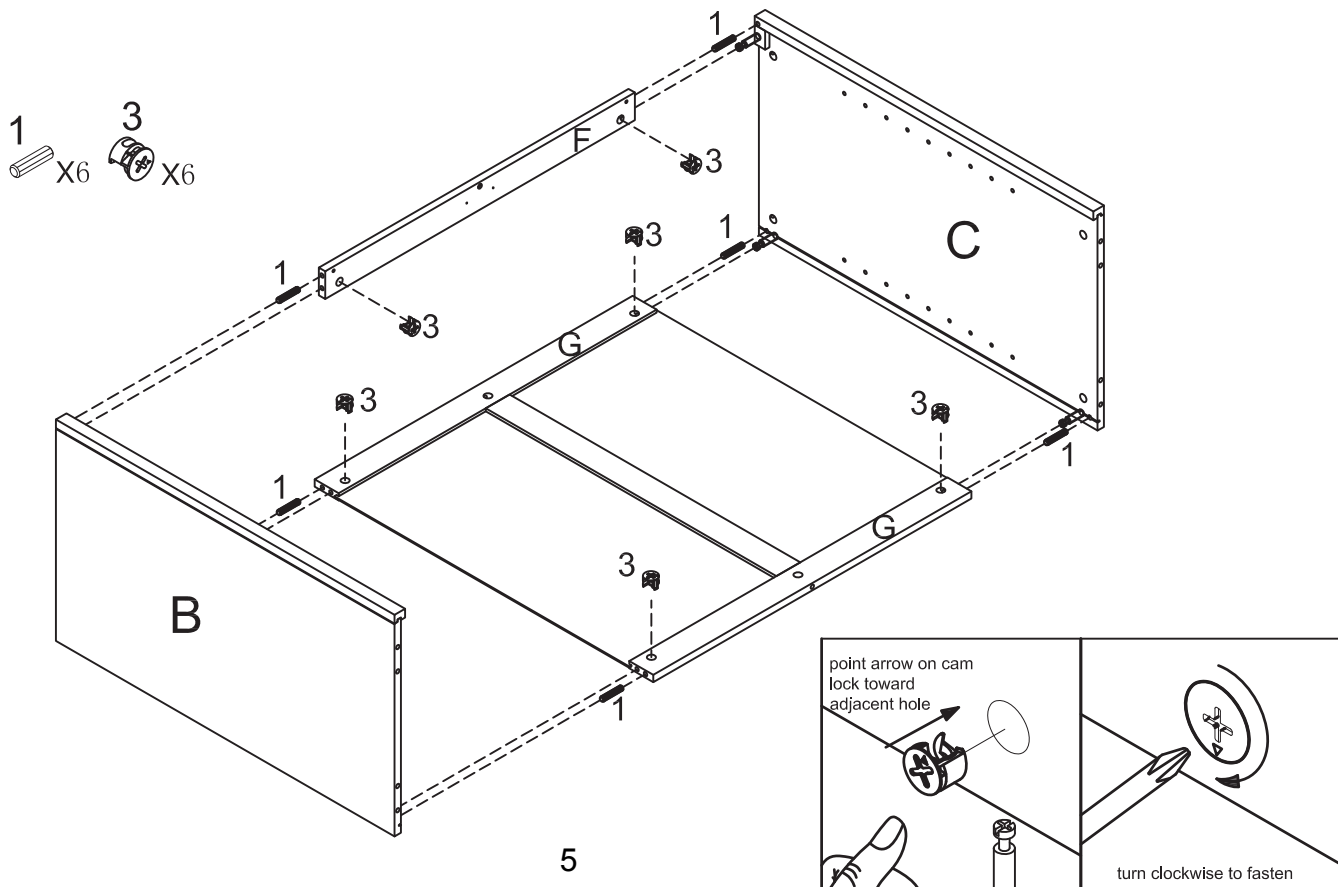
2
x28



Step 2. With Back Rail (G) on a flat surface, attach Middle Upper Rail (R) to Rail (G) with Wood Dowels (Part#1).
 Insert Upper Back Panels (O) into the grooves of Rails (G&R). Attach Upper Back Rail (G) to Rail (R) using Wood Dowels (Part#1).
 Note: Be sure that Back Panels (O) are completely inserted into groove of Rail (G).



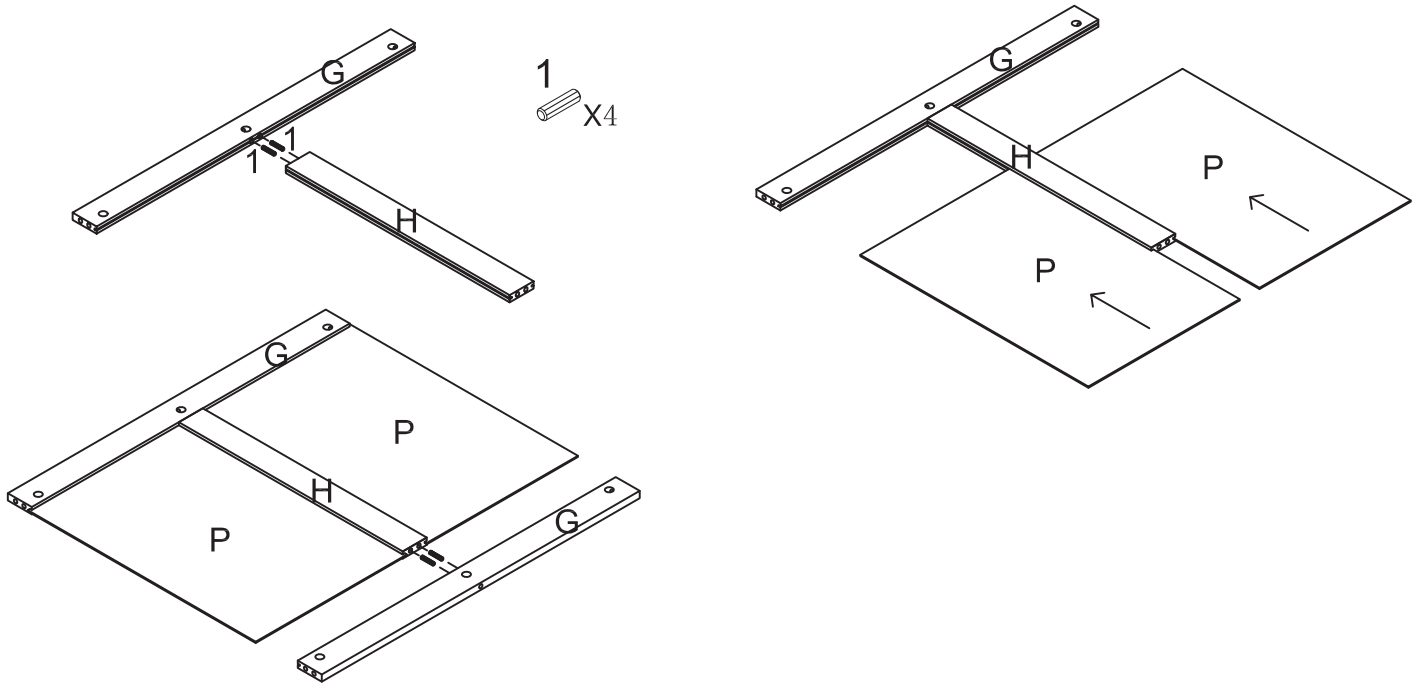
Step 3. Attach Upper Left Side Panel (B) and Upper Right Side Panel (C) to Rails (G&F) using Wood Dowels (Part#1) and Cam Lock (Part#3).



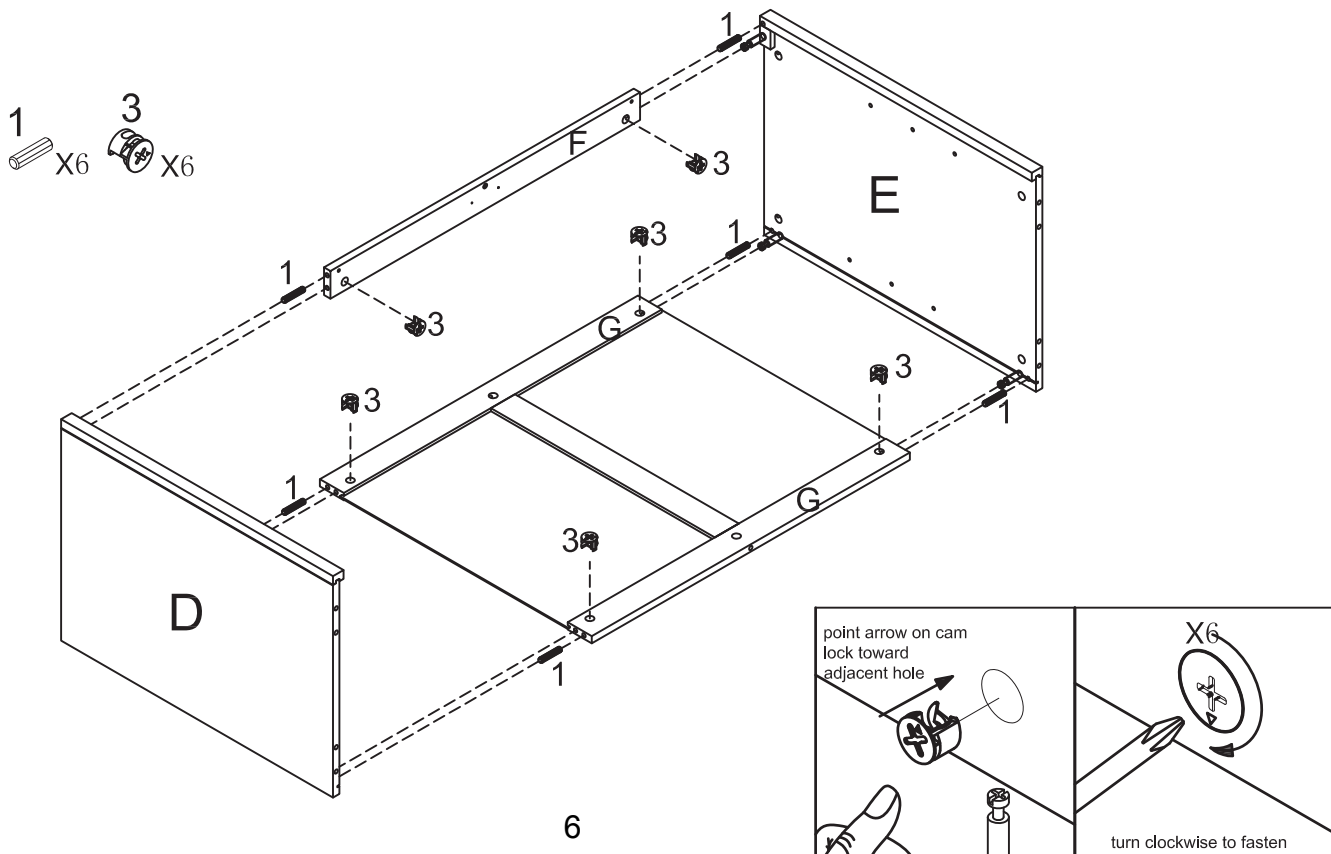
Step 4. With Back Rail (G) on a flat surface, attach Middle Lower Rail (H) to Rail (G) with Wood Dowels (Part#1).

Insert Lower Back Panels (P) into the grooves of Rails (G&H). Attach Back Rail (G) to Rail (H) using Wood Dowels (Part#1).

Note: Be sure that Back Panels (P) are completely inserted into groove of Rail (G).

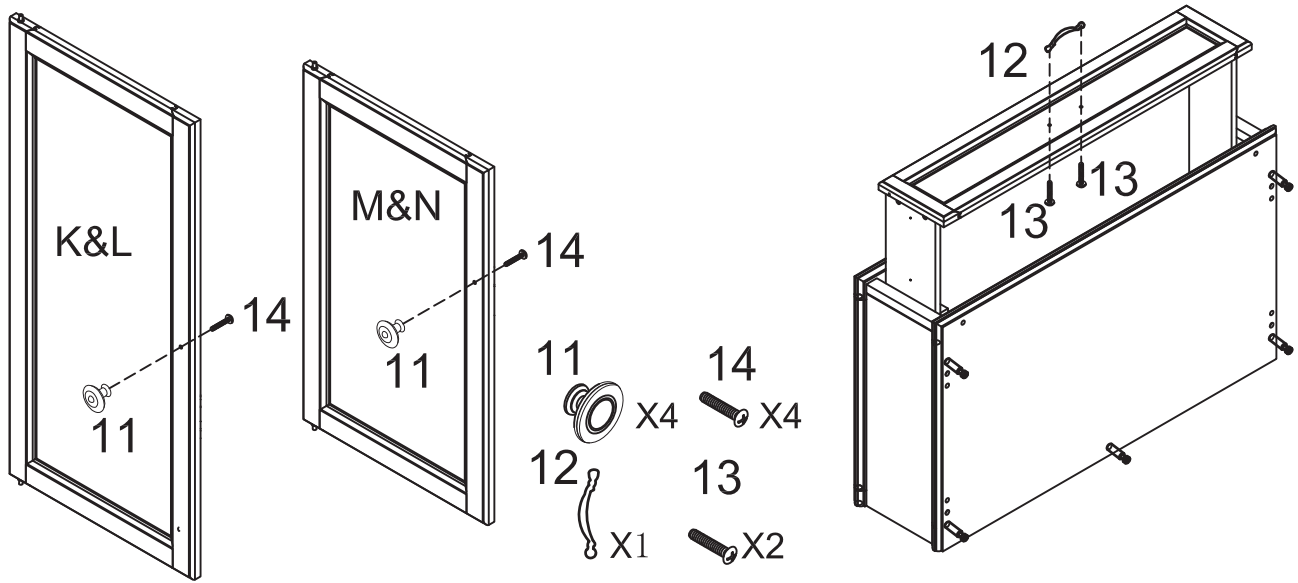


Step 5. Attach Lower Left Side Panel (D) and Lower Right Side Panel (E) to Rails (G&F) using Wood Dowels (Part#1) and Cam Lock (Part#3).

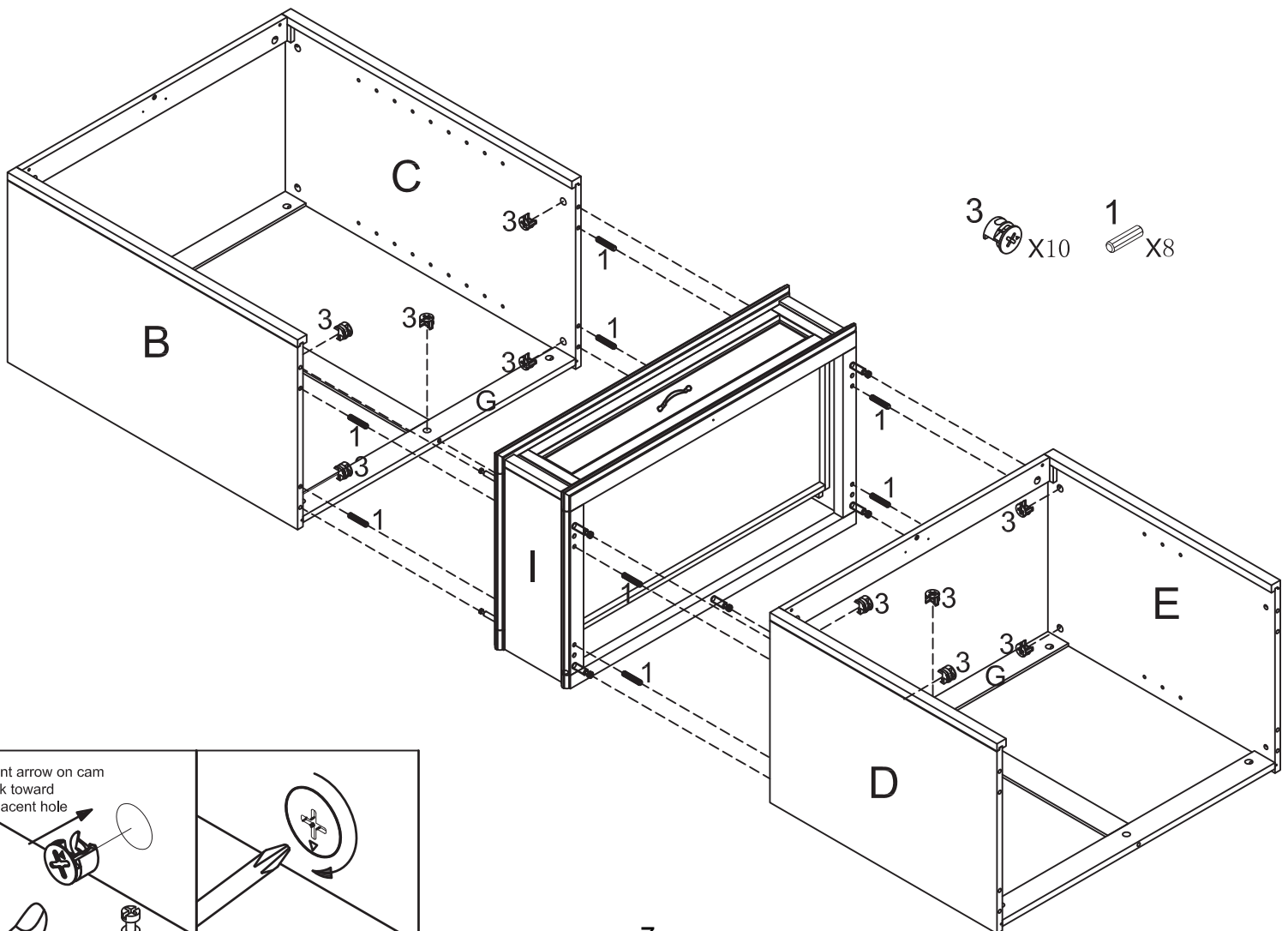


Step 6. Attach Handle (Part#12) to drawer front panel using Short Round Head Bolts (Part#13).

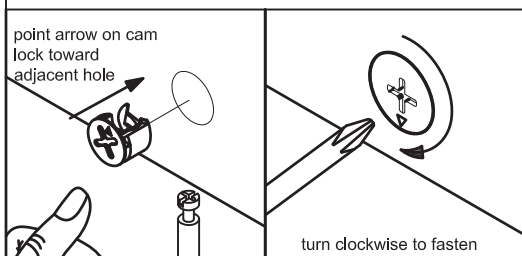
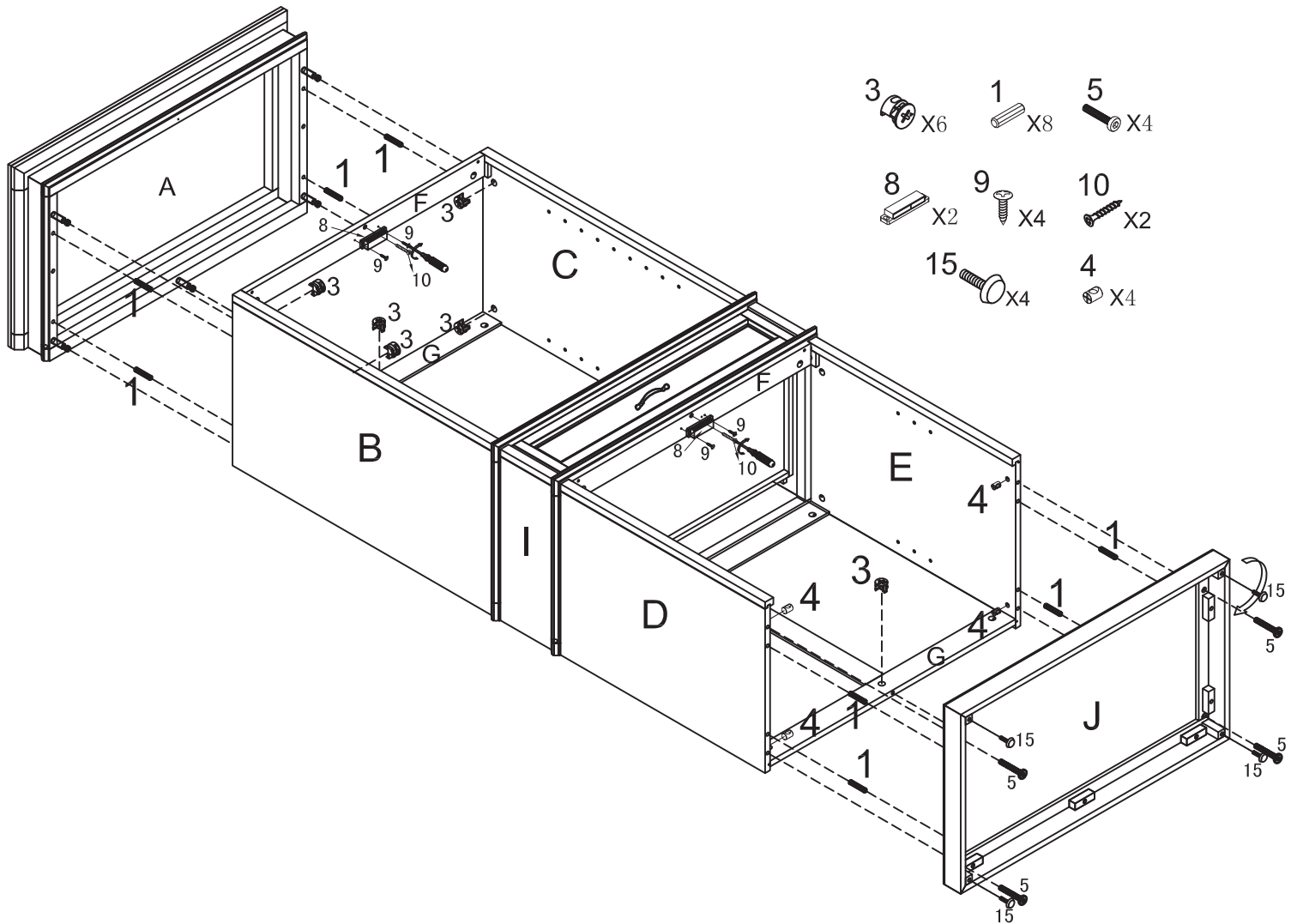
Attach Knobs (Part#11) to Doors (K, L, M & N) using Long Round Head Bolts (Part#14).



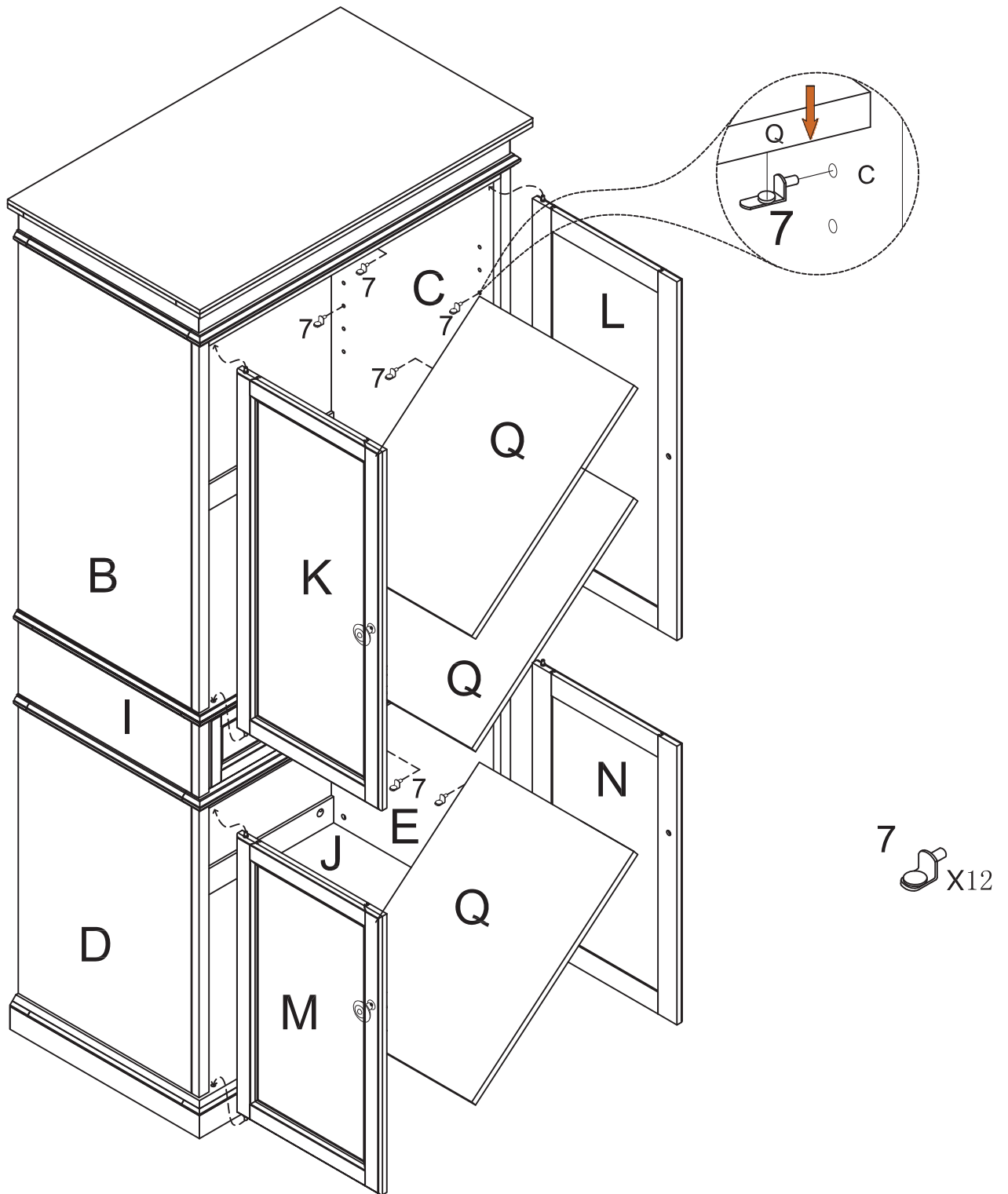
Step 7. Attach Middle Shelf Frame (I) to assembled upper cabinet and lower cabinet using Cam Lock (Part#3)



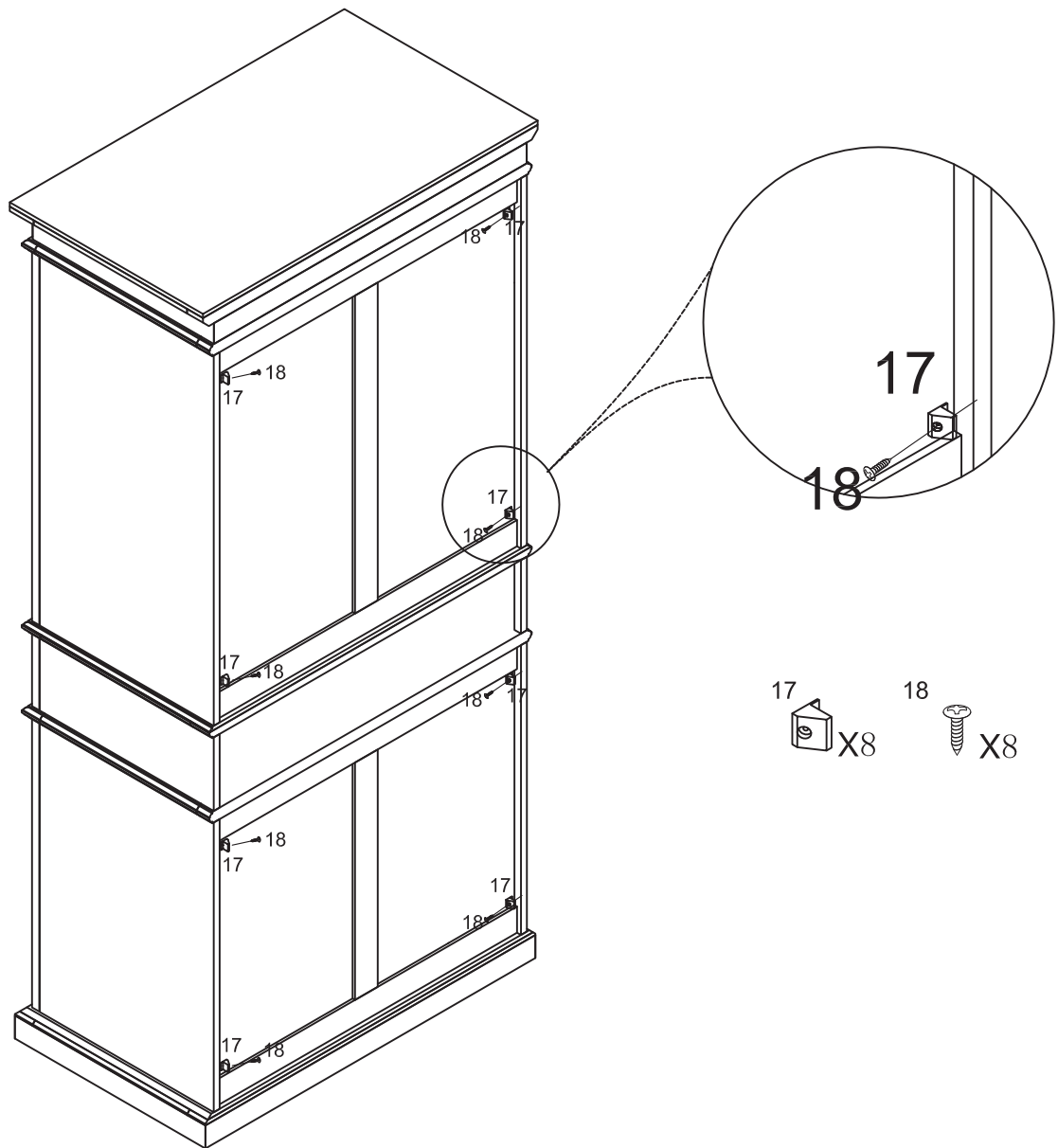
Step 8. Attach Top Frame (A) to assembled middle cabinet using Wood Dowel (Part#1) and Cam Lock (Part#3). Attach Bottom Frame (J) using Wood Dowels (Part#1), Bolts (Part#5) and Barrel Nuts (Part #4). Screw adjustable Feet (Part#15) into Bottom Frame (J). Note: Please use feet to level the pantry when complete and standing up right. Fix Front Rail (F) to Middle Shelf Frame (I) using Screw (Part#10). Fix Magnet (Part#8) onto Front Rail (F) using Screw (Part#9) .



Step 9. Insert Shelf Holders (Part#7) into desired position on Side Panels (B,C, D & E). Put Adjustable Shelves (Q) into cabinet. Attach Doors (K, L, M & N)



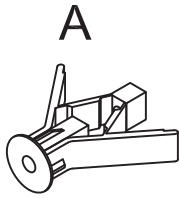
Step 10. Attach 8 Brackets(Part#17) to the back panel with Screws (Part#18) .



16



SAFETY STRAP KIT
1 PC



WALL ANCHOR
Ax1 PC



WASHER
Bx2PCS



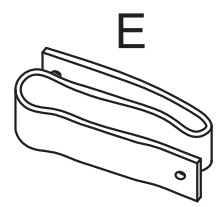
D8*3/4"

SHORT SCREW
Cx1PC



D8*1-1/2"

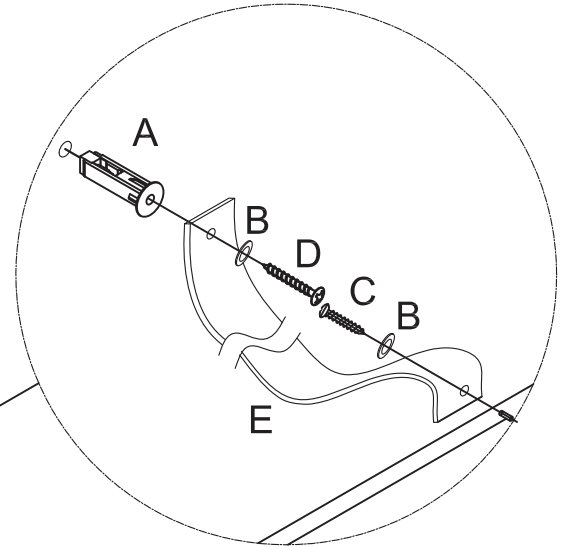
LONG SCREW
Dx1PC



SAFETY WALL STRAP
Ex1PC

SAFETY WALL STRAP ASSEMBLY INSTRUCTION

- 1) Insert Short Screw Part (C) through Washer Part (B) and Safty Wall Starp Part (E) and screw it into Parts (A).
- 2) Drill a 11/32" hole where you want to secure your pantry. The hole should be at the same height as the hole in Part (A). Tap Wall Anchor Part (A) into the hole.
- 3) Insert Long Screw Part (D) through a Washer Part (B) and Wall Safty Strap Part (E) into Wall Enchor Part (A).



Wall

